

Door Camera User Manual

Model:

- KW-137M
- KW-137MC



CONTENTS

PRODUCT INTRODUCTION	3
FEATURES AND PARTS	4
KW-137M/MC FEATURES AND PARTS	4
SPECIFICATIONS AND ACCESSORIES	5
DIMENSION/ACCESSORIES OF KW-137M/MC	5
DIMENSION	5
ACCESSORIES	5
INSTALLATION	6
FLUSH MOUNT TYPE SKETCH MAP	6
INSTALLATION RANGE	7
INSTALLATION ATTENTION	8
CONNECTION DIAGRAMS	9
KW-138AM/AMC CONNECTION DIAGRAM	9
SYSTEM WIRING	10
KW-138AM/AMC SYSTEM WIRING	10
SPECIFICATIONS	11

PRODUCT INTRODUCTION

Thank you for purchasing our products of building intercom system series. Please read the instructions carefully and follow the directions before install the products. Any problem regarding to the product, please query your supplier.

GENERAL FEATURES:

- Luxury and modern alloy of aluminum and magnesium with ruggedization, with weather-proof function.
- Adjustable camera lens (B&W/Color).
- The indication light of key stroke with assistant illumination function convenience for operation in night.
- Super-thin size easy to flush mounted installation.



CAUTION: To avoid the risk of electric shock, please don't remove cover or back. Please ask professional person if maintenance needed.



Alert the users to the presence of "dangerous voltage" which will cause electric shock to persons.

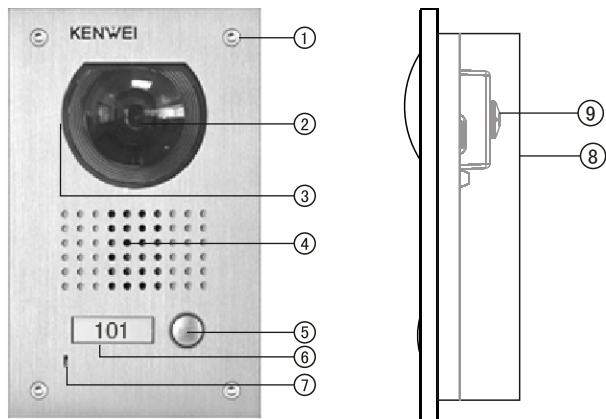


Remind users that important operation and maintenance guides are included in the attached user's manual.

* KENWEI reserves the right to change or modify design, features, functions and specifications without any prior notice for the improvement and promotion of products quality.

FEATURES AND PARTS

KW-137M/MC FEATURES AND PARTS



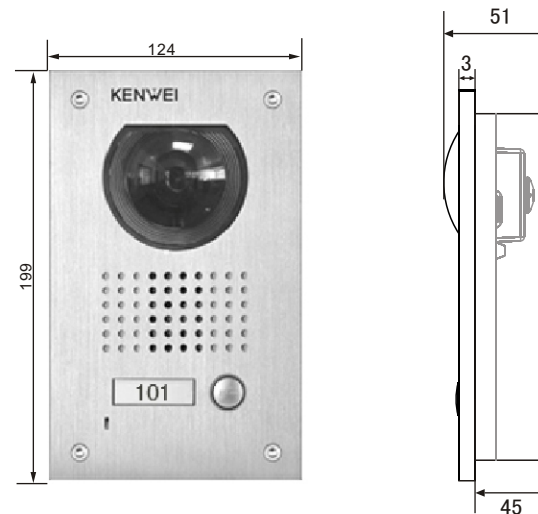
1. Burglarproof screw
2. CCD camera (B&W/COLOR)
3. White light/IR for night illumination
4. Speaker
5. Calling Button
6. Room No. & night light
7. Microphone
8. Embedded Box
9. Lens Adjustable button

SPECIFICATIONS AND ACCESSORIES

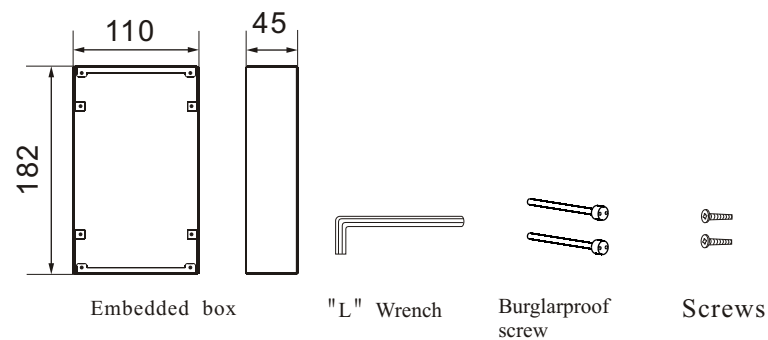
DIMENSION OF KW-137M/MC

Dimension:

(Unit: mm)

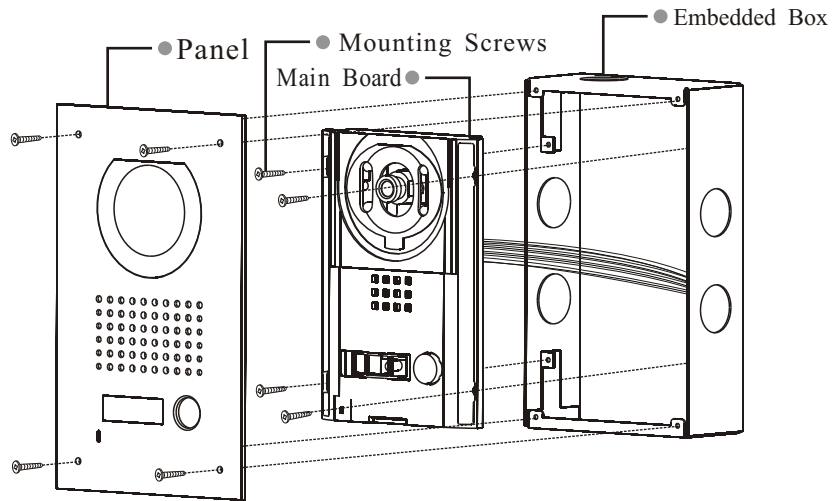


Accessories:



INSTALLATION

FLUSH MOUNT TYPE SKETCH MAP

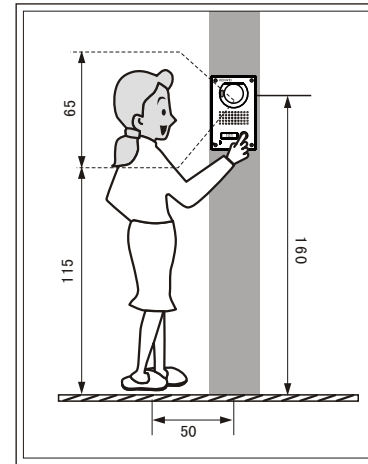


Installation step:

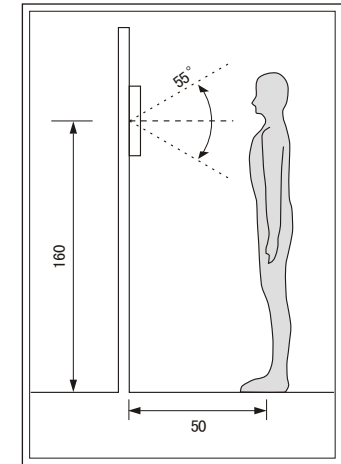
1. At the selected mounting location (160mm above the ground), install the embedded box to the wall, then fix the wire.
2. Fix the main board to the embedded box with 4 screws.
3. Then fix the panel to the embedded box with 4 screws. The installation is completed.

INSTALLATION RANGE

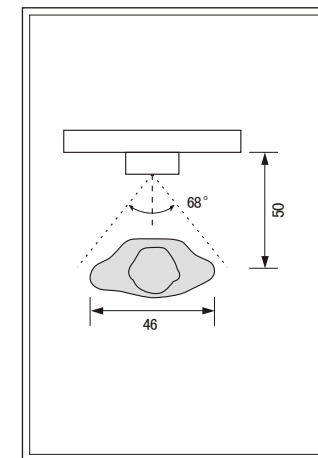
(Unit: cm)



Installation range



Camera angles (Vertical)



Camera angles (Horizontal)

INSTALLATION ATTENTION

1. Do not expose the unit to sunshine or rain:

Even if you do not use it, don't expose it to sunshine or rain.

2. Do not expose to intense light:

Spotlight may cause stain or striation in the screen.

3. Do not disassemble the unit by yourself:

Improper disassembly may damage the unit or cause electric shock.

4. Do not splash water on the unit:

Install the unit in dry place. In case that the unit gets wet, turn off the unit and contact your dealer.

5. Check the ambient temperature and humidity

Avoid using the unit where the temperature is hotter or colder than specified, otherwise the internal parts may get affected. Special care is required to use the unit at high temperature and humidity.

6. In case of trouble:

If any trouble occurs while you are using the unit, turn off the power and contact your dealer to avoid worse problem or unpredictable accident.

7. About operation:

Keep the unit away from magnetic equipments such as microwave oven or big speaker. If the unit will not be used for a long time, please switch it off.

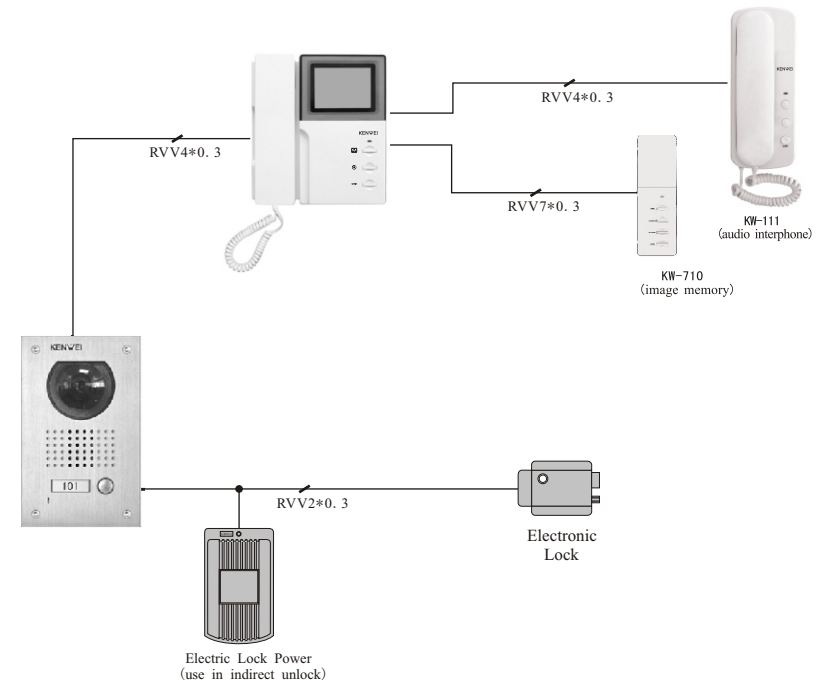
8. About clean:

Use soft cloth to clean the unit. Do not use any impregnant, such as alcohol, benzene. If you have any problem, please contact your dealer.

* Remark: When you choose the place to install the unit, please pay attention to:
Keep sufficient space for ventilation and easy communication. Keep sufficient space to adjust while installing. Don't put hot resource under the unit.

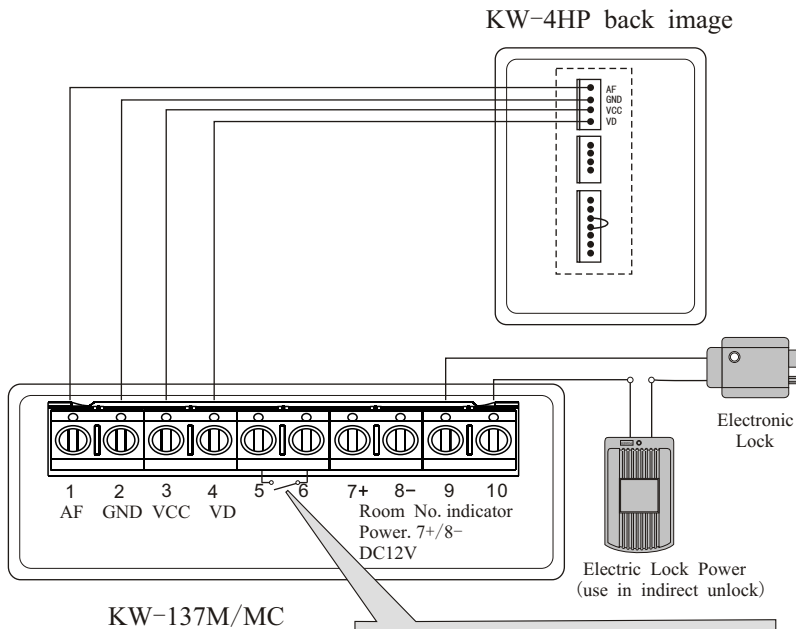
CONNECTION DIAGRAMS

KW-137M/MC CONNECTION DIAGRAM



SYSTEM WIRING

KW-137M/MC SYSTEM WIRING



Red: Audio
Blue: Ground
Yellow: Power
White: Video

5&6 are multi function extending ports, opened switch built-in. Max. input is DC12V, 200mA. Working theory: when calling button pressed, the switch will be closed for 2~3 seconds and return to open status. (This function is optional)

SPECIFICATIONS

MODEL	KW-137M	KW-137MC
Image Device	1/3" CCD B&W	1/4" CCD COLOR
Power Source	DC 12V 180mA	
Minimum Illumination	0.01LUX (F1.2, W/O IR)	0.8LUX (F1.2, W/O IR)
Image Angular	Horizontal: 68° Vertical: 55°	
Installation System	4 wires	
Scanning Frequency	Horizontal: 15.625Khz Vertical: 50Hz	
Audio Communication System	Handsfree	
Working Temperature	-40°C ~ +70°C	
Weight	0.85kgs	
Indoor Unit	Any indoor unit from our company	