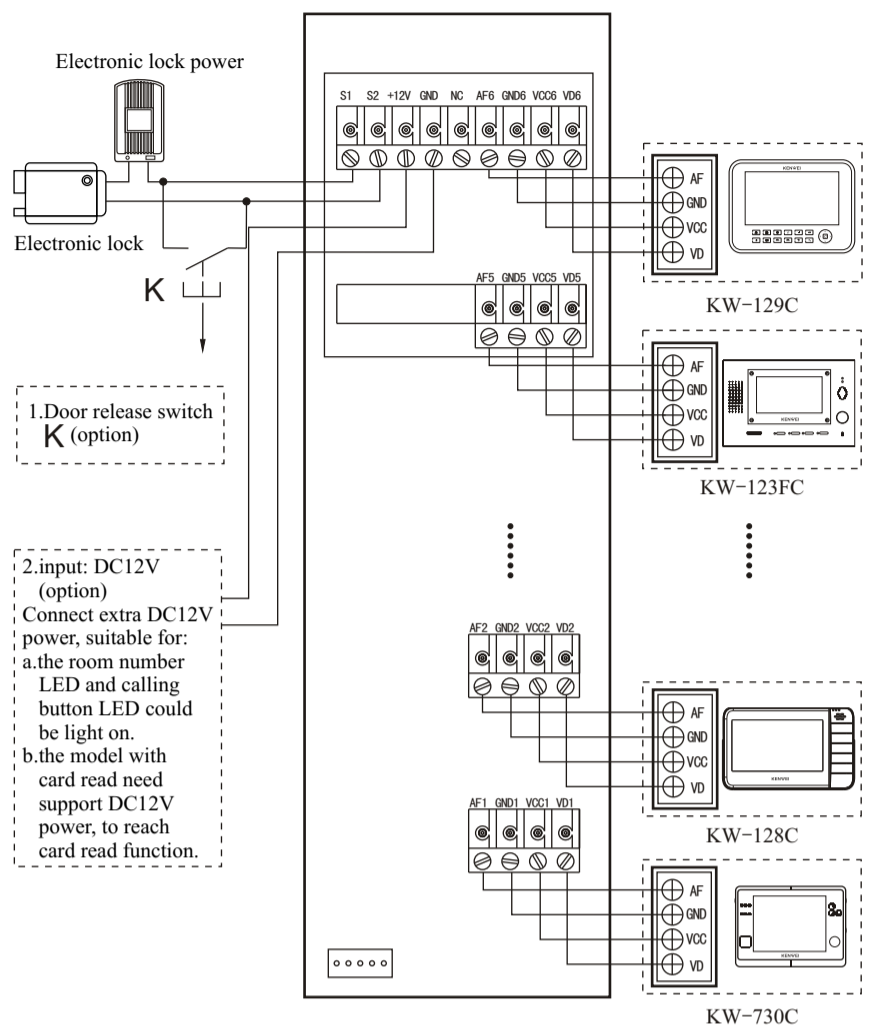
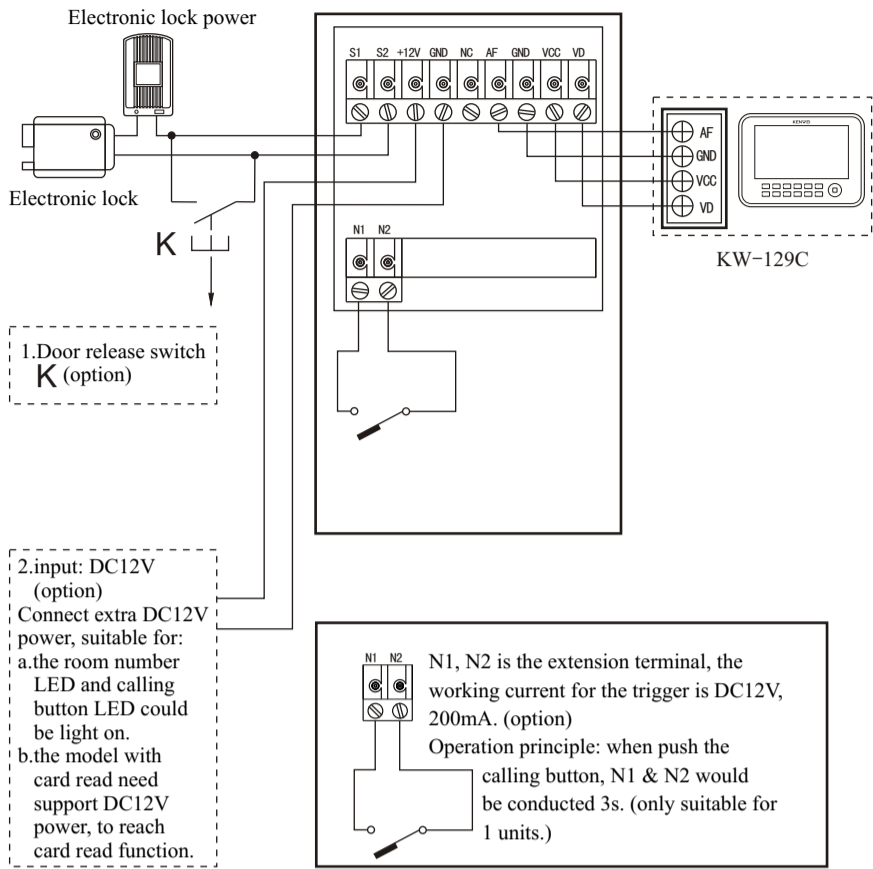
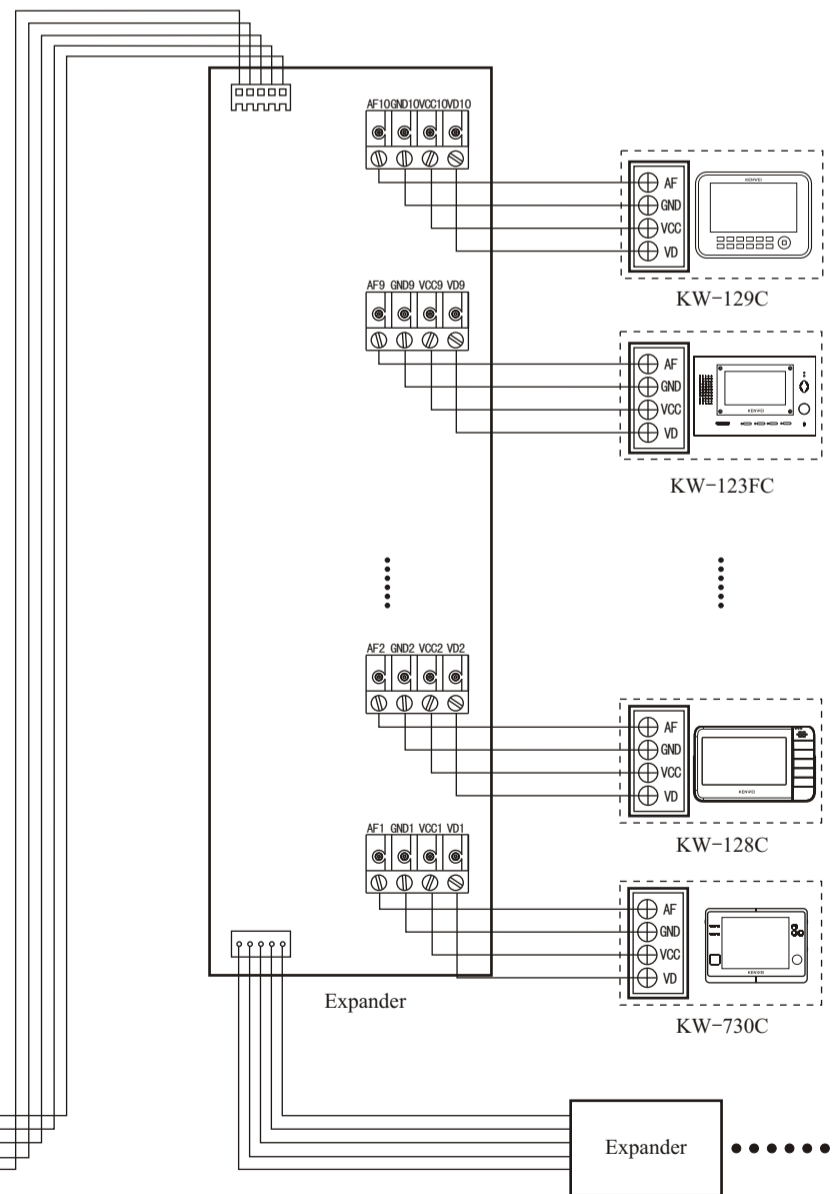
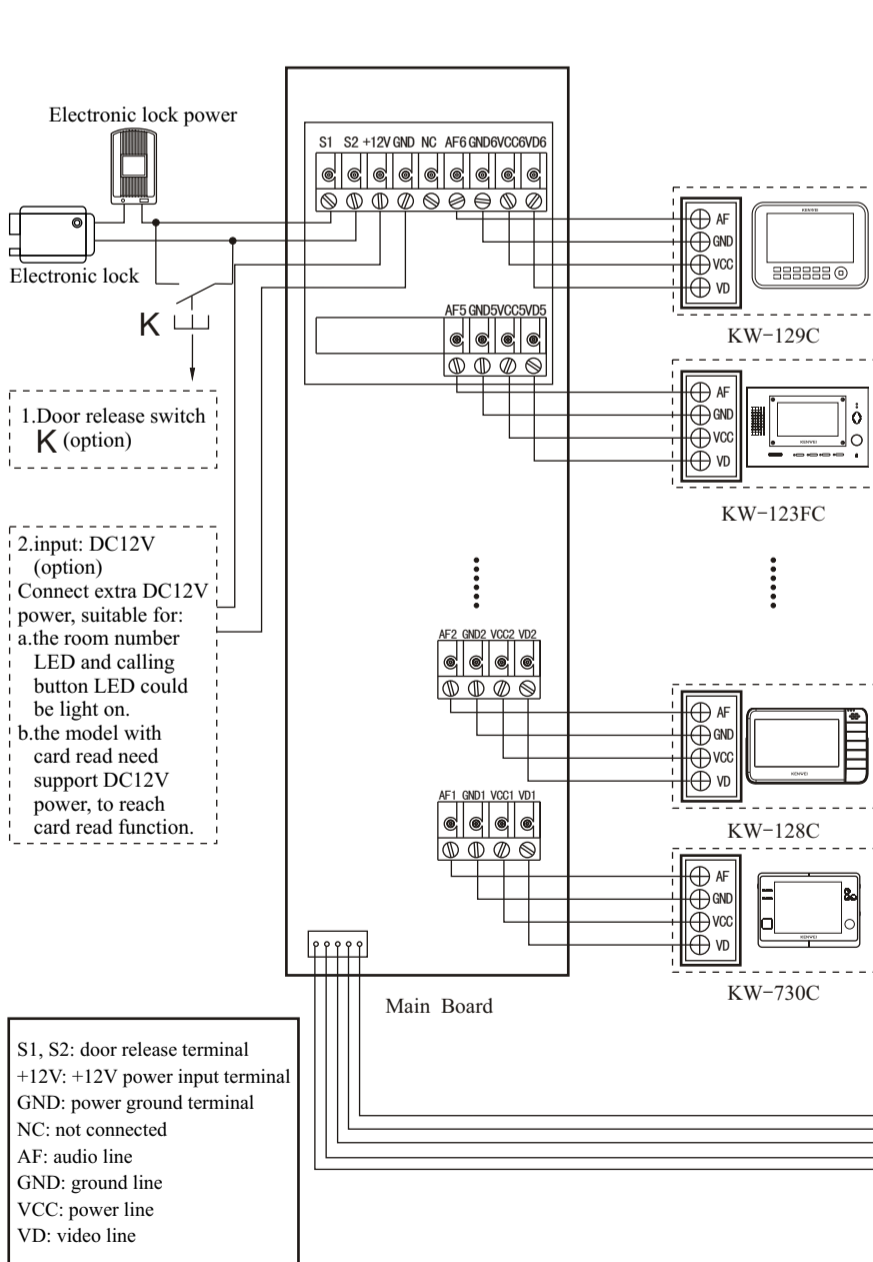


KW-135/137/138 series wiring diagram (4 wires)-suitable for both card read and without card read model



Wiring diagram between main board and expander (4 wires)

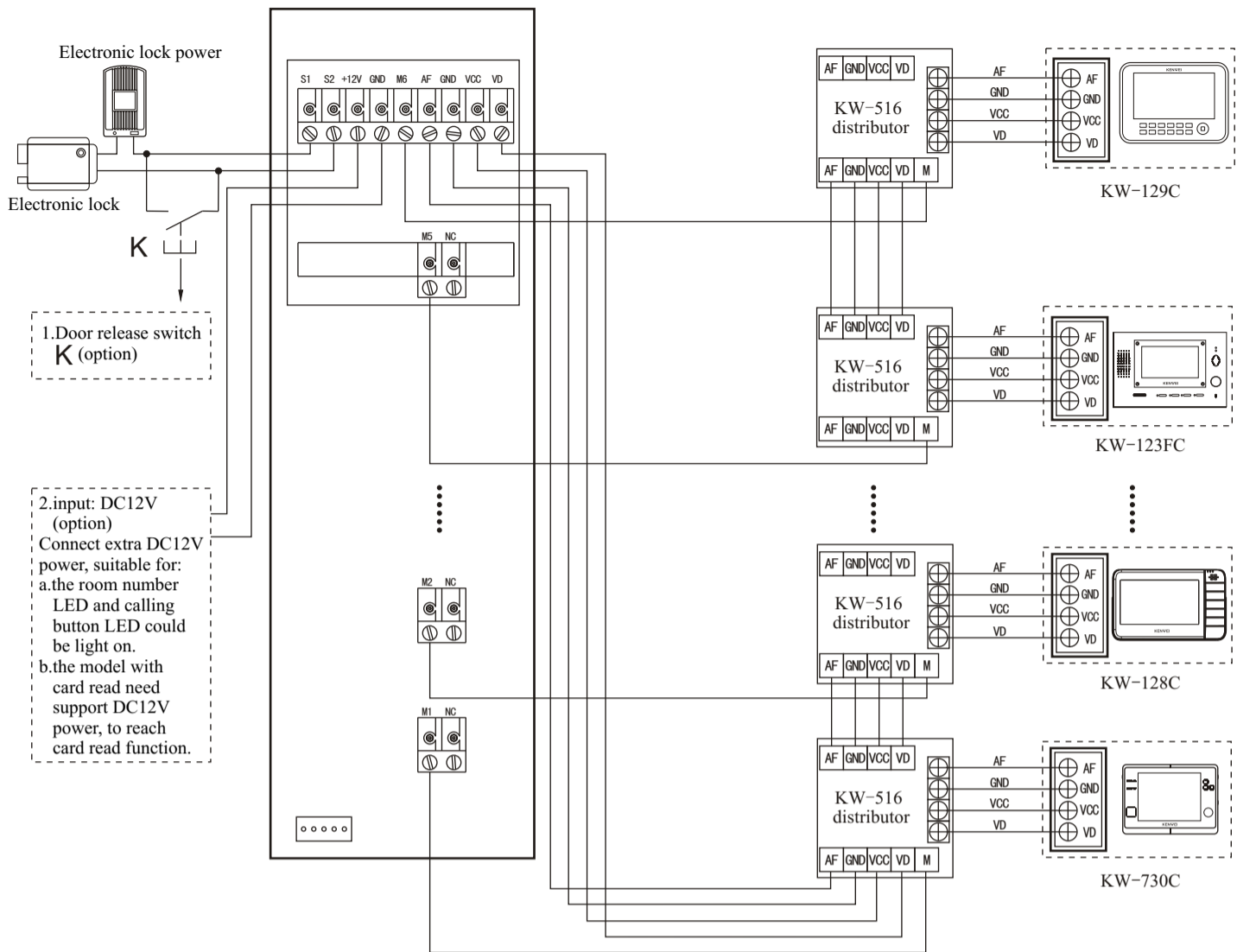


S1, S2: door release terminal
+12V: +12V power input terminal
GND: power ground terminal
NC: not connected
AF: audio line
GND: ground line
VCC: power line
VD: video line

Remark

1. The door release switch is installed inside the door, push this switch to open the door.
2. When connecting the extra DC12V power, the room number LED and calling button LED will auto adjust the light according to the light intensity.

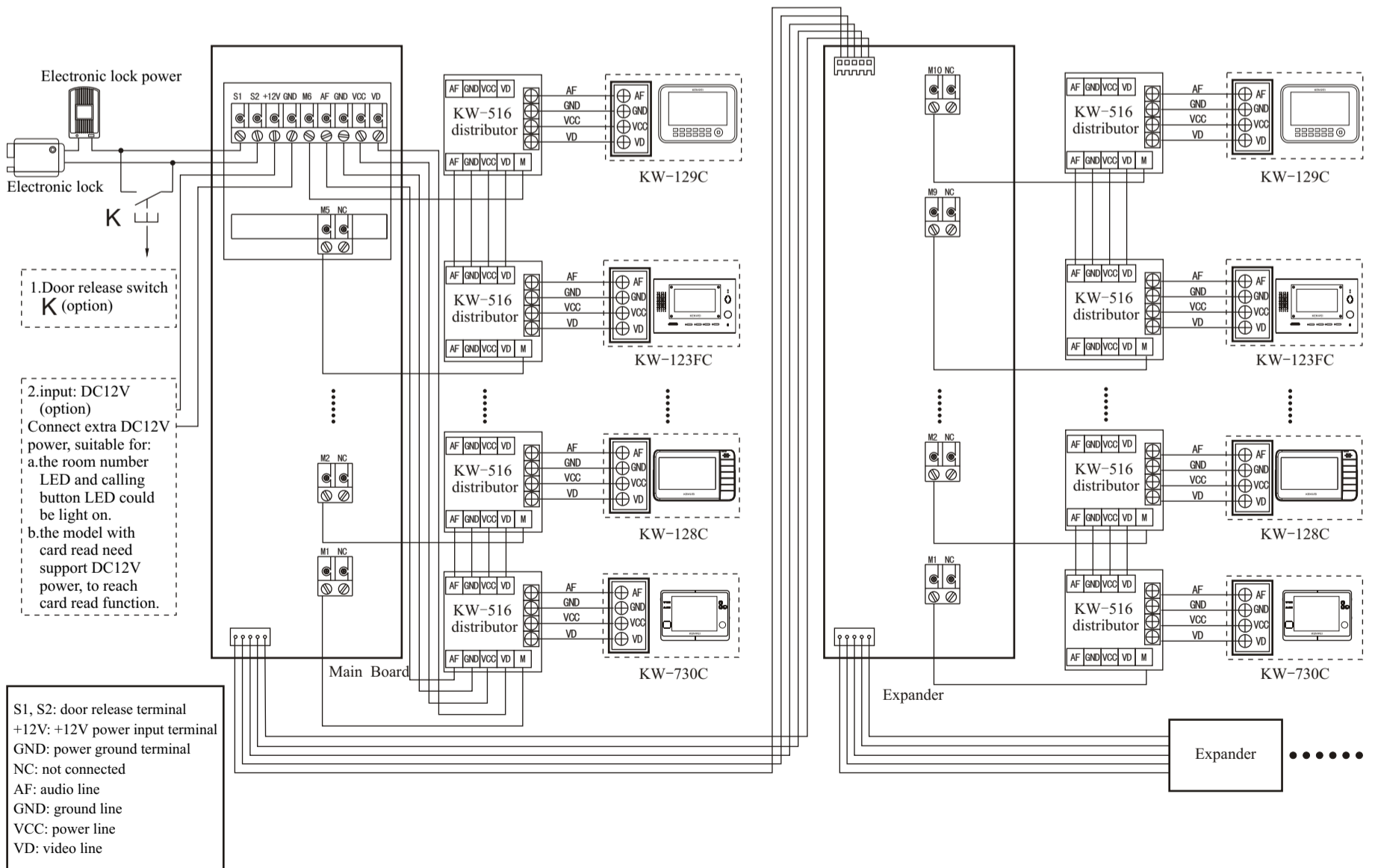
KW-135/137/138 series wiring diagram (4+1 wires)–suitable for both card read and without card read model



1. Door release switch K (option)

2. input: DC12V (option)
Connect extra DC12V power, suitable for:
a. the room number LED and calling button LED could be light on.
b. the model with card read need support DC12V power, to reach card read function.

Wiring diagram between main board and expander (4+1 wires)



S1, S2: door release terminal
+12V: +12V power input terminal
GND: power ground terminal
NC: not connected
AF: audio line
GND: ground line
VCC: power line
VD: video line

Remark

1. The door release switch is installed inside the door, push this switch to open the door.
2. When connecting the extra DC12V power, the room number LED and calling button LED will auto adjust the light according to the light intensity.